

# FLAME SIGNAL CONVERTER 4-20 mA

PRODUCT: ACS-CV-□

TECHNICAL SHEET 1/7

☎ Customer Service 55 11 3019-1616

For more details, see the technical bulletin

## ● APPLICATION

It converts the flame signal into the standardized signal of 4-20 mA., for the **dynamic signaling** of the flame status, from the site/view tube perspective, where the sensor is mounted.

## ● TECHNICAL DATA

- ⇒ Power supply: 115 / 220 VAC, 50/60Hz, ± 3%.
- ⇒ Power consumption (max.): 5 Va
- ⇒ Protection against voltage surges
- ⇒ Internal fuse to protect the internal and output circuits – 100 mA, retarded action (diameter: 8.5 mm, length: 8.5 mm), encapsulated mod. MST (fusibras or similar)
- ⇒ Signal input: 0 - 9 mA for transmitter ACS-TX; 0 - 9 mA pulsing from sensor SEL-SV-T (V or U) or 0 – 4 VDC from sensor CHM-F-MCQ.
- ⇒ Output (common negative output): 4-20 mA / Rout = max. 500 Ohms
- ⇒ Zero and span adjustments: through potentiometer (15 turns), located in the cabinet front part.
- ⇒ Operating ambient temperature: 0°C to 60°C
- ⇒ Ambient temperature for storage: -5 to 65°C
- ⇒ Max. operating relative air humidity: 90% (40 ± 2 °C) – NBR 5291
- ⇒ Housing: injected plastic housing made of synthetic material (ABS), beige.
- ⇒ Protection degree in relation to the environment: IP 40
- ⇒ Assembly: On any flat surface (sheltered or into a panel).
- ⇒ Electrical connections: Terminals (20) arranged on the front panel of the housing
- ⇒ Attachment: using two lugs for DIN rail 46277 – 35 mm, or through the base using two M3 screws
- ⇒ Weight: 600 grams
- ⇒ Warranty: 12 months (see warranty terms)

## ● Dimensions (mm)

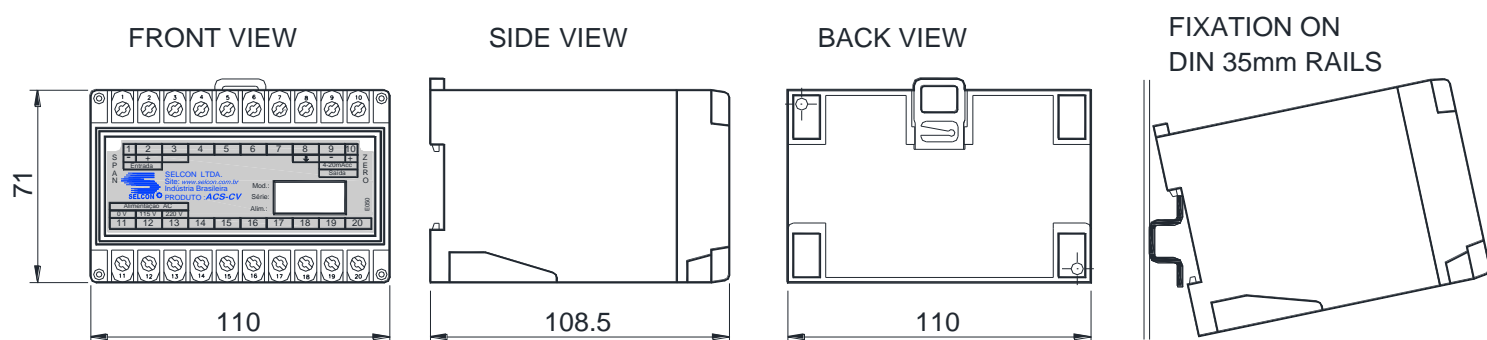


FIG 1



SELCON SISTEMAS ELETRÔNICOS DE CONTROLE LTDA.  
CNPJ 56.935.877/0001-29  
Rua Américo Samarone, 502 • 04284-000 • Moinho Velho •  
São Paulo • SP • Tel./Fax: (55 11) 3019-1616  
<http://www.selcon.com.br>

Selcon Ltda. reserves the right to change this technical sheet when required. – Dec/2010

Representative or Distributor:

# FLAME SIGNAL CONVERTER 4-20 mA

**PRODUCT: ACS-CV-□**

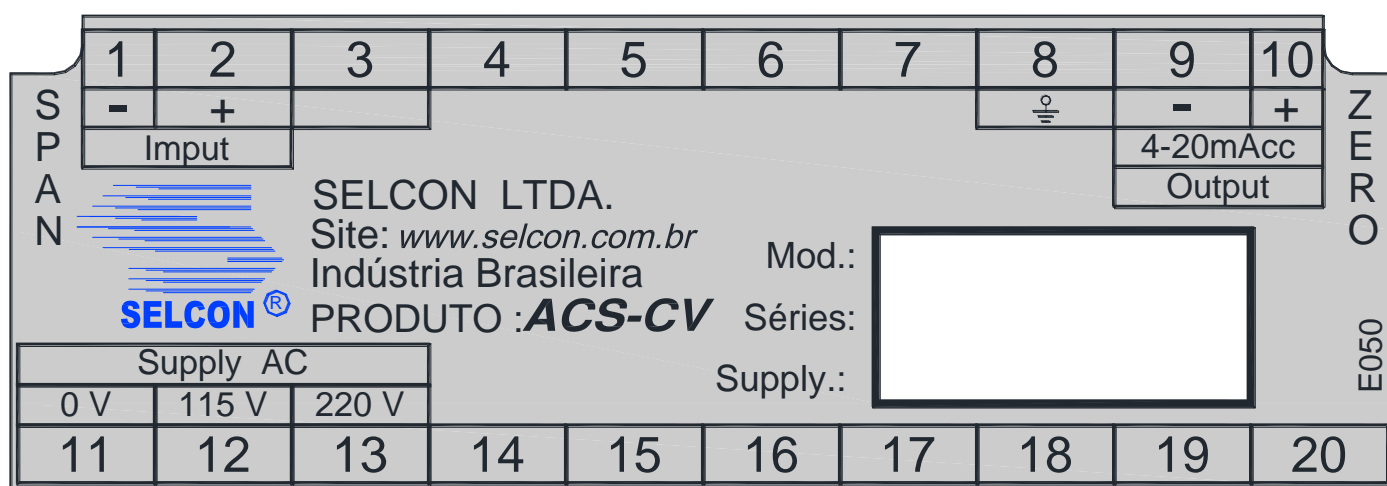
**TECHNICAL SHEET 2/7**

☎ Customer Service 55 11 3019-1616

For more details, see the technical bulletin

● **FRONT VIEW**

Code	Input
1	0-9 mA
2	0-9mA Pulsing
3	0-4V



**FIG 2**



**SELCON SISTEMAS ELETRÔNICOS DE CONTROLE LTDA.**  
 CNPJ 56.935.877/0001-29  
 Rua Américo Samarone, 502 • 04284-000 • Moinho Velho •  
 São Paulo • SP • Tel./Fax: (55 11) 3019-1616  
<http://www.selcon.com.br>

*Selcon Ltda. reserves the right to change this  
 technical sheet when required. – Dec/2010*

**Representative or Distributor:**

# FLAME SIGNAL CONVERTER 4-20 mA

PRODUCT: ACS-CV-C□

TECHNICAL SHEET 3/7

Customer Service 55 11 3019-1616

For more details, see the technical bulletin

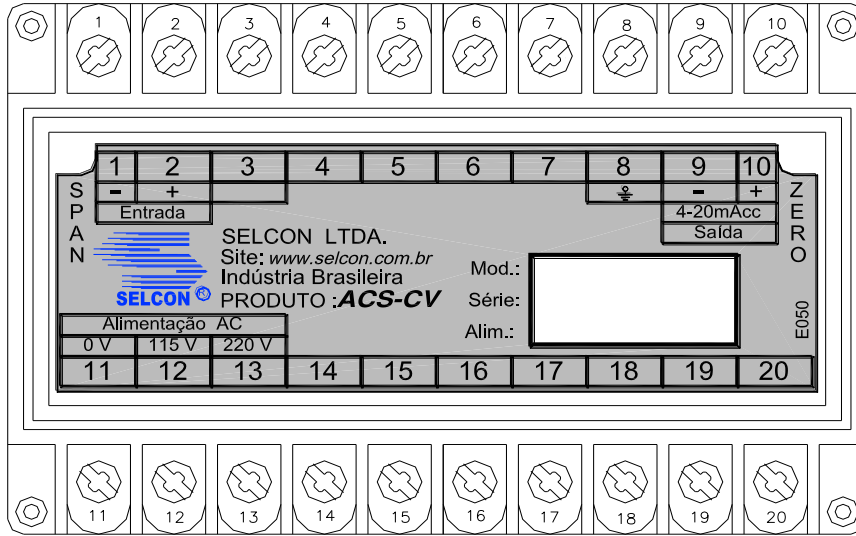


FIG 3

## ● ELECTRICAL CONNECTIONS

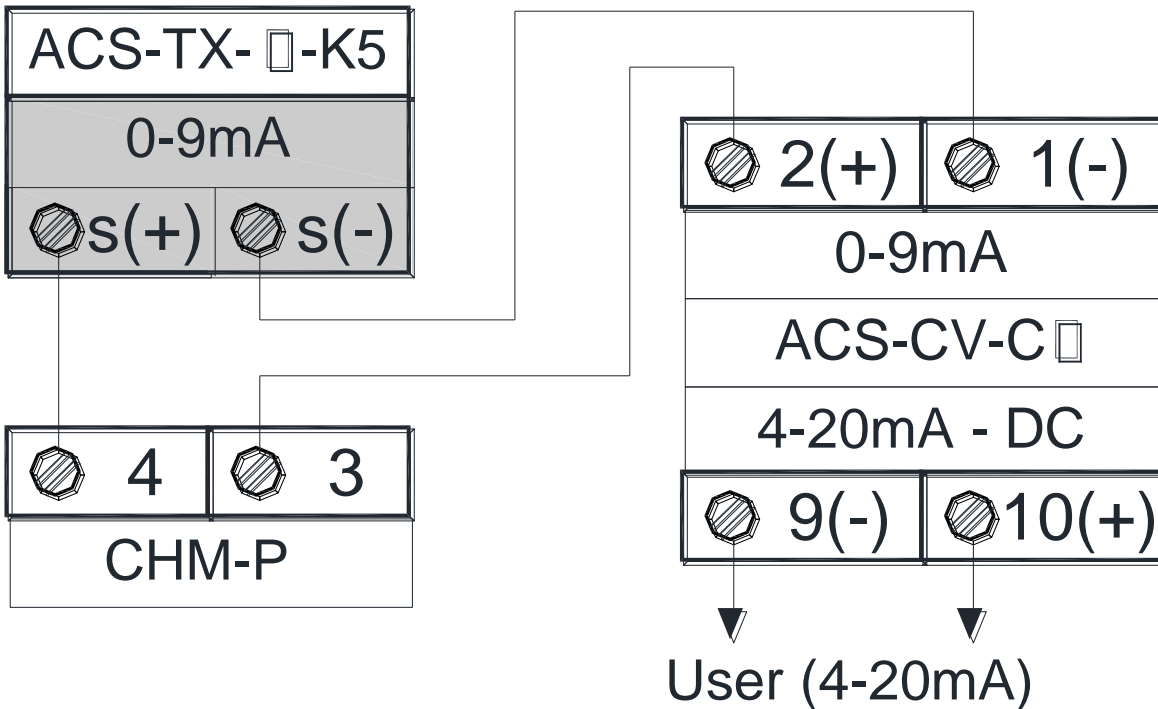


FIG 4



SELCON SISTEMAS ELETRÔNICOS DE CONTROLE LTDA.  
 CNPJ 56.935.877/0001-29  
 Rua Américo Samarone, 502 • 04284-000 • Moinho Velho •  
 São Paulo • SP • Tel./Fax: (55 11) 3019-1616  
<http://www.selcon.com.br>

Selcon Ltda. reserves the right to change this technical sheet when required. – Dec/2010

Representative or Distributor:

# FLAME SIGNAL CONVERTER 4-20 mA

PRODUCT: ACS-CV-C□

TECHNICAL SHEET 4/7

☎ Customer Service 55 11 3019-1616

For more details, see the technical bulletin

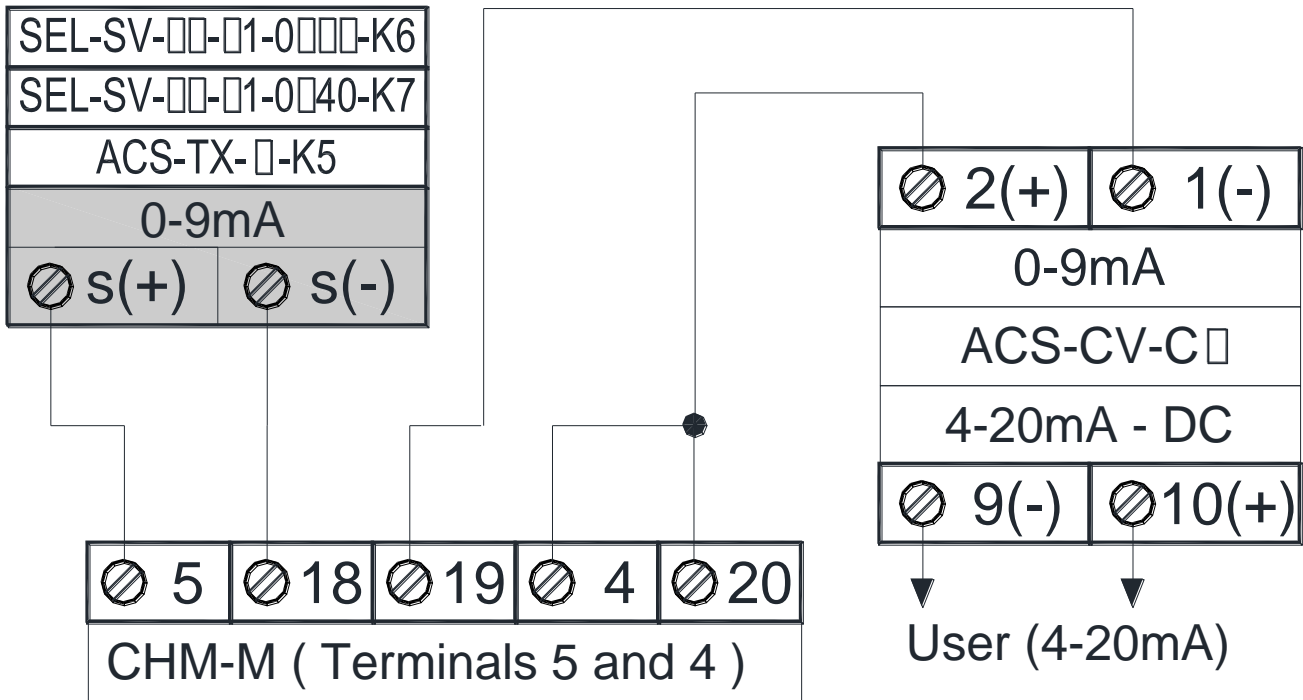


FIG 5

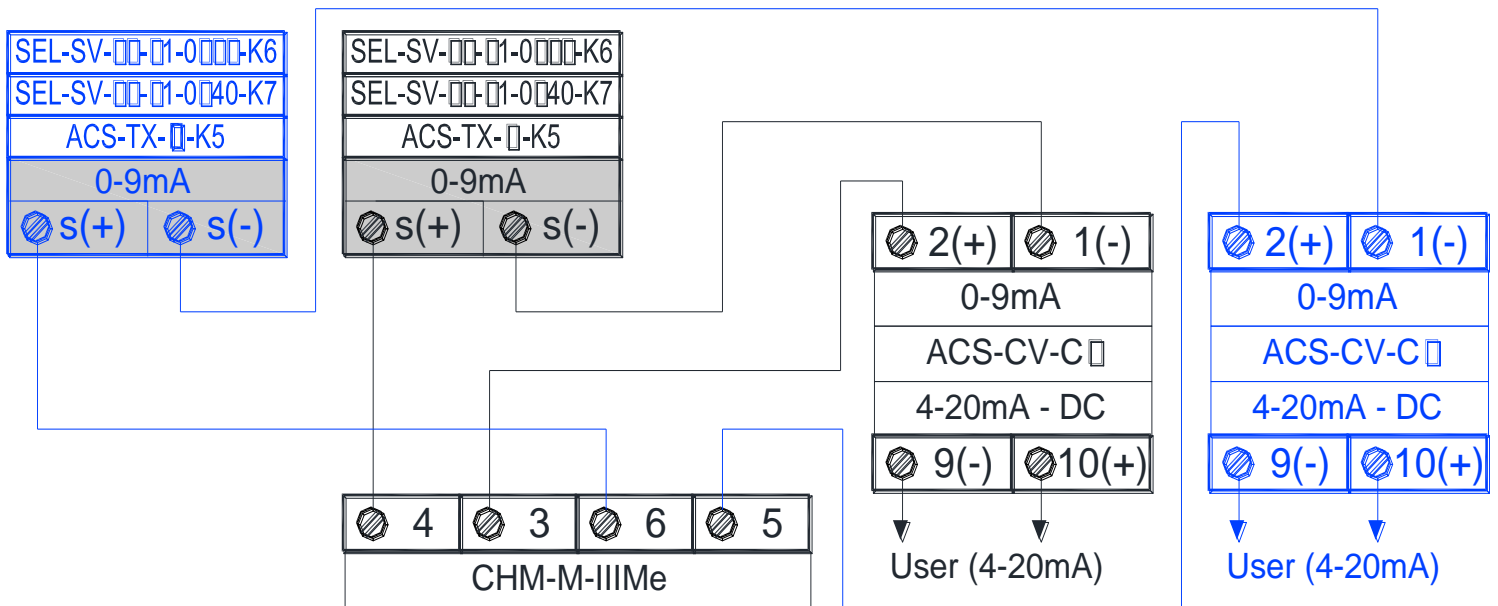


FIG 6



SELCON SISTEMAS ELETRÔNICOS DE CONTROLE LTDA.  
 CNPJ 56.935.877/0001-29  
 Rua Américo Samarone, 502 • 04284-000 • Moinho Velho •  
 São Paulo • SP • Tel./Fax: (55 11) 3019-1616  
<http://www.selcon.com.br>

Selcon Ltda. reserves the right to change this technical sheet when required. – Dec/2010

Representative or Distributor:

# FLAME SIGNAL CONVERTER 4-20 mA

PRODUCT: ACS-CV-C

TECHNICAL SHEET 5/7

Customer Service 55 11 3019-1616

For more details, see the technical bulletin

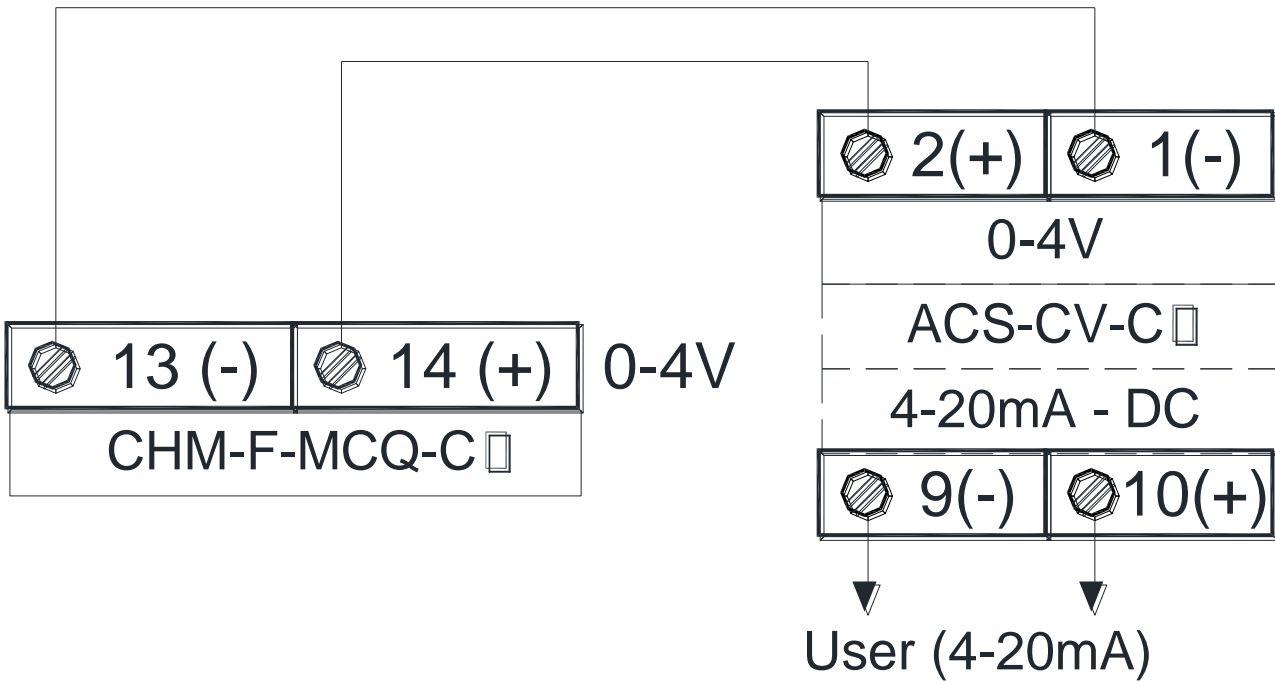


FIG 7

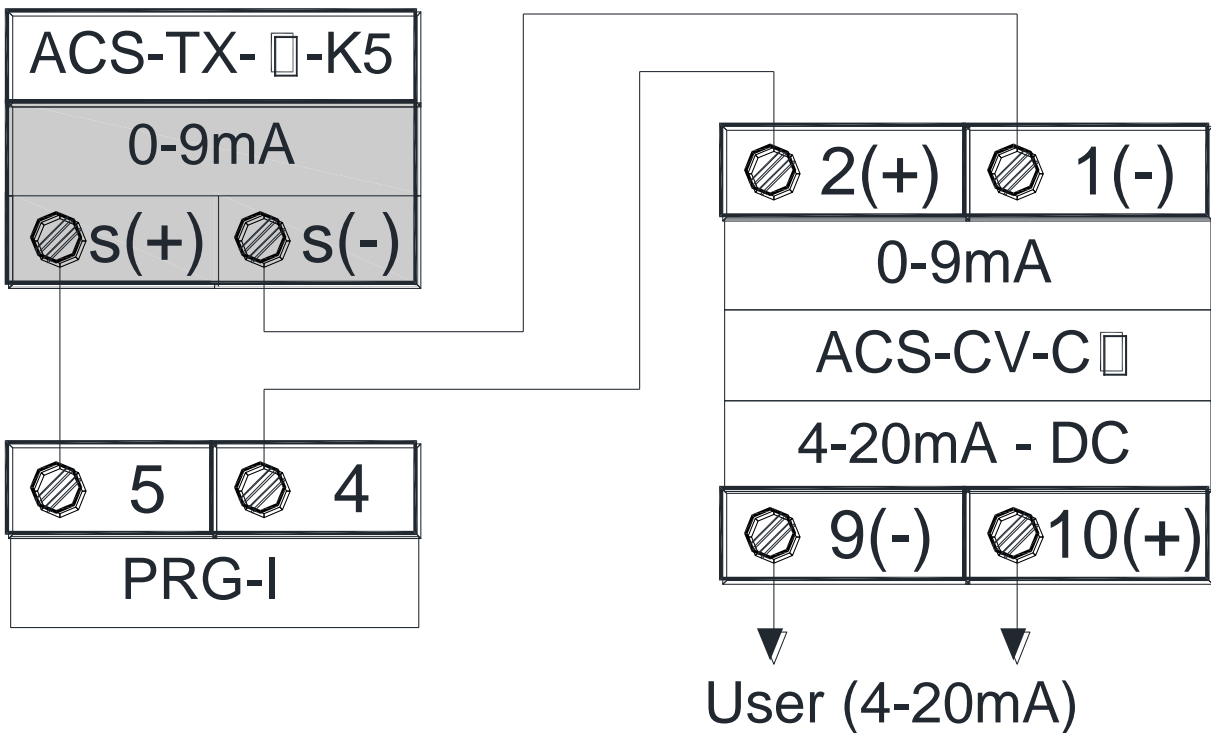


FIG 8



SELCON SISTEMAS ELETRÔNICOS DE CONTROLE LTDA.  
 CNPJ 56.935.877/0001-29  
 Rua Américo Samarone, 502 • 04284-000 • Moinho Velho •  
 São Paulo • SP • Tel./Fax: (55 11) 3019-1616  
<http://www.selcon.com.br>

Selcon Ltda. reserves the right to change this technical sheet when required. – Dec/2010

Representative or Distributor:

# FLAME SIGNAL CONVERTER 4-20 mA

PRODUCT: ACS-CV-C

TECHNICAL SHEET 6/7

Customer Service 55 11 3019-1616

For more details, see the technical bulletin

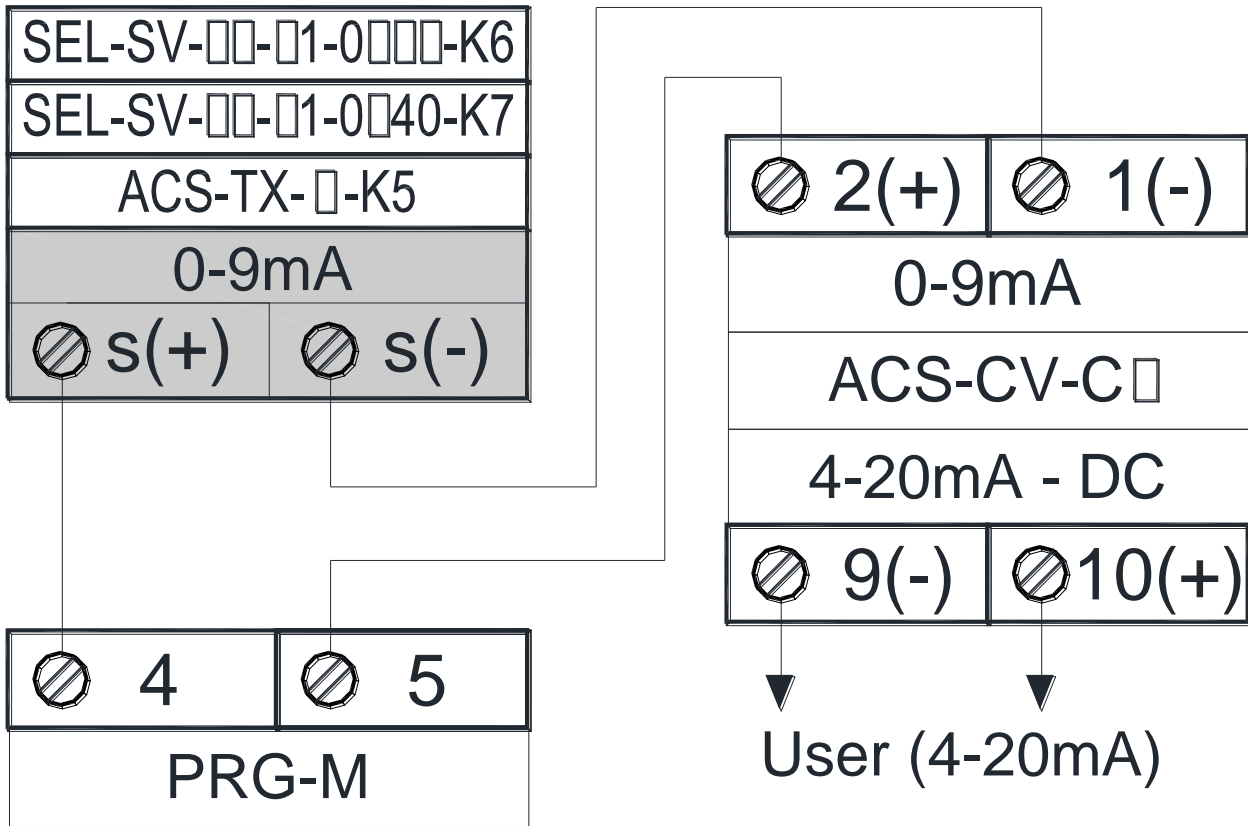


FIG 9

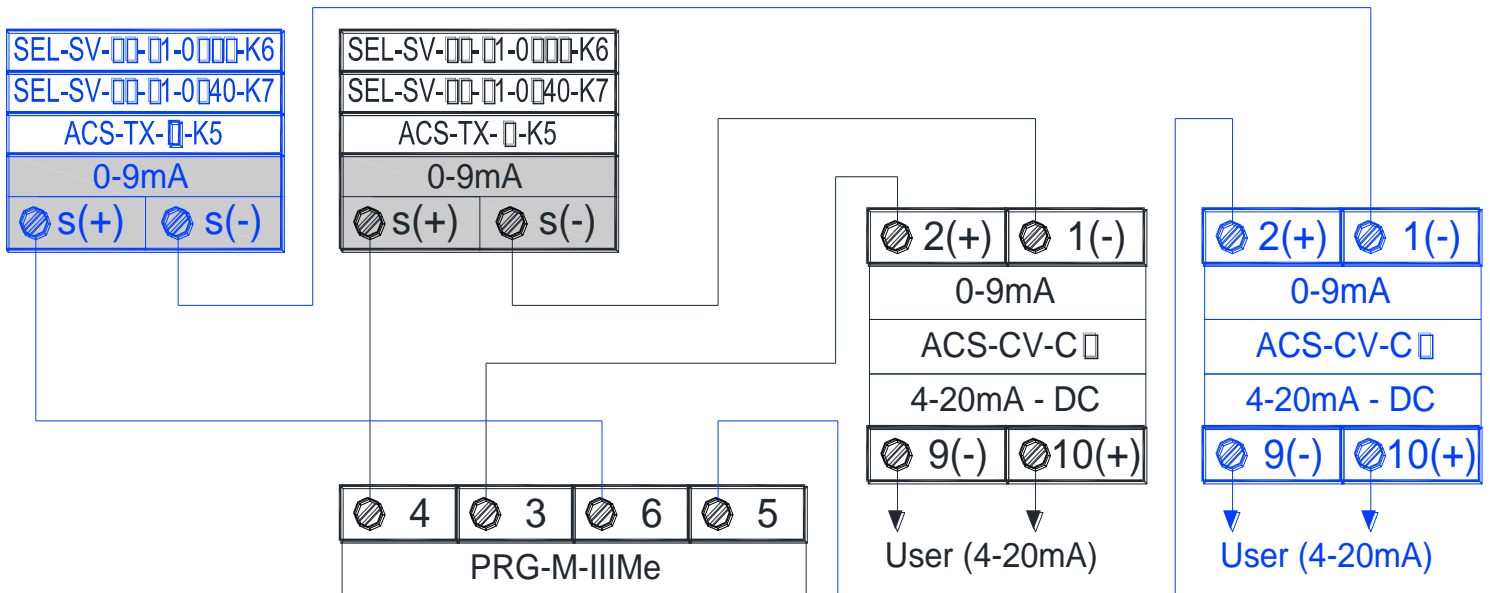


FIG 10



SELCON SISTEMAS ELETRÔNICOS DE CONTROLE LTDA.  
CNPJ 56.935.877/0001-29  
Rua Américo Samarone, 502 • 04284-000 • Moinho Velho •  
São Paulo • SP • Tel./Fax: (55 11) 3019-1616  
<http://www.selcon.com.br>

Selcon Ltda. reserves the right to change this technical sheet when required. – Dec/2010

Representative or Distributor:

# FLAME SIGNAL CONVERTER 4-20 mA

**PRODUCT: ACS-CV-C**

**TECHNICAL SHEET 7/7**

☎ Customer Service 55 11 3019-1616

For more details, see the technical bulletin

● **ORDERING INFORMATION ACS-CV-C**

ACS-CV	-	C – TYPE OF FLAME SIGNAL INPUT
		<b>• (d1)</b> d1 = 1 => 0 - 9 mA for ACS-TX
		<b>OR</b>
		d1 = 2 => 0 - 9 mA (pulsing) for SEL-SV-T
		<b>OR</b>
		d1 = 3 => 0 - 4V for CHM-F-MCQ

**Note:** The sensor and other accessories should be specified separately, according to their tables with corresponding codes.

● **WARNING:**

⇒ Use the sensor only with programmers and/or detector relays made by Selcon.

● **OTHER PRODUCTS AND ACCESSORIES:**

- ⇒ Flame relays: CHM-SE, CHM-P, CHM-M, CHM-M-III Me (with base) and CHM-F
- ⇒ Automatic valve proving control: CHM -T
- ⇒ Ignition and flame monitoring programmers: PRG-SE, PRG-E, PRG-le,
- ⇒ PRG-le-III Me (with base), PRG-I, PRG-M and PRG-M-III Me (with base)
- ⇒ Flame optical sensors: SEL- SV
- ⇒ Ionization flame sensors and ignition electrodes: SEL- HT (standard) and SEL- HT-E
- ⇒ (sensors and electrodes mounted under drawing or customer sample- special);
- ⇒ Flame signal transmitter: ACS -TX (up to 500 meters between sensor and relay or programmer)
- ⇒ Flame signal converter for 4 -20 mA: ACS - CV
- ⇒ Ignition transformers: ACS -TE (for supply in VAC or VCC)
- ⇒ Timed ignition panel: ACS - IT
- ⇒ Portable ignitor: ACS - IP (operates on batteries)
- ⇒ Ignition panel (operates on batteries): ACS-PN-E
- ⇒ Ignition panel and flame monitoring: PRG-le/O3
- ⇒ Cables: ACS - CB (ignition / sensing / communication / control)
- ⇒ Touch-sensitive connector and protector for ignition cable: ACS-CP
- ⇒ Articulate connection ACS-CN
- ⇒ Ignition and monitoring panel: ACS-PN (on request)
- ⇒ Reform service for pilot burners: on request
- ⇒ **PRODUCTION DATA SUPERVISOR LINE**



**SELCON SISTEMAS ELETRÔNICOS DE CONTROLE LTDA.**  
 CNPJ 56.935.877/0001-29  
 Rua Américo Samarone, 502 • 04284-000 • Moinho Velho •  
 São Paulo • SP • Tel./Fax: (55 11) 3019-1616  
<http://www.selcon.com.br>

*Representative or Distributor:*

Selcon Ltda. reserves the right to change this technical sheet when required. – **Dec/2010**